

本図は、U1000シリーズIP00冷却フィン外出しアタッチメントを取付けるマトリクスコンバータユニットの寸法

アタッチメント取付け手順および取付けパネルカット寸法を示します。

This document shows the drive and panel-cutout dimensions and the installation procedure for an external heatsink installation for an IP00/Open-chassis drives.

[対象機種/Models]

CIMR-U□2\*0028A~0248A

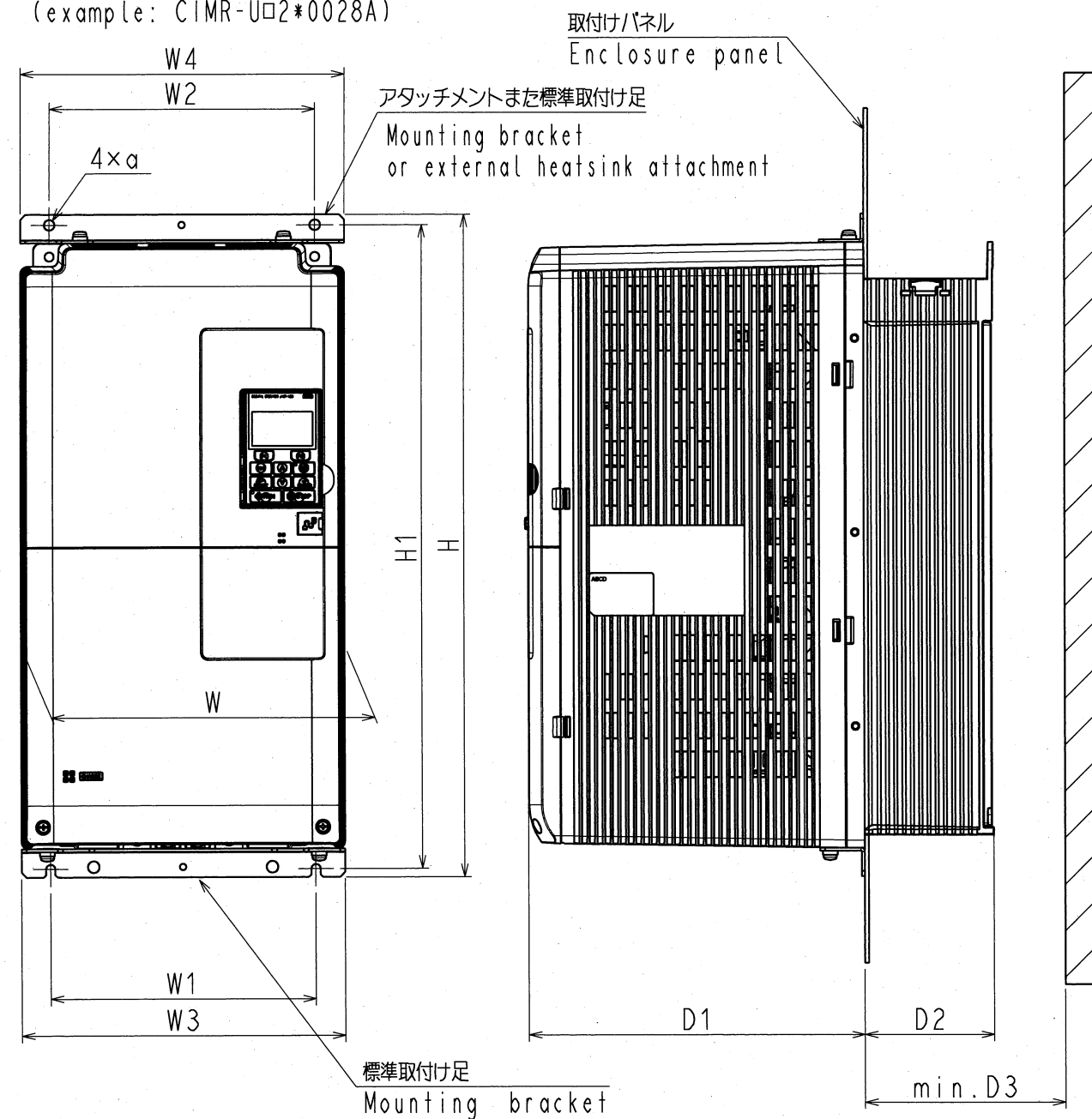
CIMR-U□4\*0011A~0930A

EUJ7118XY

アタッチメント取付け時のマトリクスコンバータユニット寸法

本図は、CIMR-U□2\*0028Aを表します。

Dimensions of drive with external heatsink attachment  
(example: CIMR-U□2\*0028A)



マトリクス コンバータ形式 Model	寸法(mm, (in)) Dimensions										取付けサイズ Screw Size
	W	W1	H	W2	W3	W4	H1	D1	D2	D3	
CIMR-U□2*0028A CIMR-U□4*0011A CIMR-U□4*0014A CIMR-U□4*0021A CIMR-U□4*0027A CIMR-U□4*0034A	250 (9.84)	205 (8.07)	512 (20.16)	205 (8.07)	250 (9.84)	250 (9.84)	497.5 (19.59)	260 (10.24)	100 (3.94)	120 (4.72)	M6
CIMR-U□2*0042A CIMR-U□2*0054A CIMR-U□2*0068A CIMR-U□2*0081A CIMR-U□4*0040A CIMR-U□4*0052A CIMR-U□4*0065A CIMR-U□4*0077A	264 (10.39)	218 (8.58)	691.5 (27.22)	218 (8.58)	250 (9.84)	264 (10.39)	667.5 (26.28)	305 (12.01)	115.5 (4.55)	130 (5.12)	M8
CIMR-U□2*0104A CIMR-U□2*0130A CIMR-U□4*0096A CIMR-U□4*0124A	264 (10.39)	218 (8.58)	857.5 (33.76)	218 (8.58)	250 (9.84)	264 (10.39)	833.5 (32.81)	326 (12.83)	124.5 (4.90)	140 (5.51)	M8
CIMR-U□2*0154A CIMR-U□2*0192A CIMR-U□4*0156A CIMR-U□4*0180A	415 (16.34)	250 (9.84)	1052 (41.42)	250 (9.84)	415 (16.34)	415 (16.34)	1030 (40.55)	238 (9.37)	165 (6.50)	180 (7.09)	M10
CIMR-U□2*0248A CIMR-U□4*0216A CIMR-U□4*0240A	490 (19.29)	360 (14.17)	1191 (46.89)	360 (14.17)	470 (18.50)	470 (18.50)	1162.5 (45.77)	269 (10.59)	181 (7.13)	200 (7.87)	M12
CIMR-U□4*0302A CIMR-U□4*0361A CIMR-U□4*0414A	695 (27.36)	560 (22.05)	1211 (47.68)	560 (22.05)	680 (26.77)	680 (26.77)	1181 (46.50)	269 (10.59)	181 (7.13)	200 (7.87)	M12
CIMR-U□4*0477A CIMR-U□4*0590A	1096 (43.15)	850 (33.46)	1625 (63.98)	850 (33.46)	1096 (43.15)	1096 (43.15)	1598 (62.91)	282 (11.10)	163 (6.42)	180 (7.09)	M12
CIMR-U□4*0720A CIMR-U□4*0900A CIMR-U□4*0930A	1236 (48.66)	1000 (39.37)	1865 (73.43)	1000 (39.37)	1236 (48.66)	1236 (48.66)	1838 (72.36)	295 (11.61)	150 (5.91)	170 (6.69)	M12
EUJ7118XY	700 (27.56)	560 (22.05)	1380 (54.33)	560 (22.05)	690 (27.17)	690 (27.17)	1351 (53.19)	201 (7.91)	231 (9.09)	250 (9.84)	M12

□: A to Z X: 0 to 9  
\*: A to Z Y: 0 to 9

# アタッチメント取付け方法

## ATTACHMENT INSTALLATION

本図は以下のマトリクスコンバータに適用します。

The procedure applies to the following models.

マトリクスコンバータ形式 Model	アタッチメント/External Heatsink Attachment		標準取付け足/Mounting bracket	
	使用ねじ(数量)/Screw (Qty)	締め付けトルク/Tightening Torque	使用ねじ(数量)/Screw (Qty)	締め付けトルク/Tightening Torque
CIMR-U02*0042A~0081A 4*0040A~0077A	M5×12座金組込み十字穴付きなべ小ねじ(×2) M5 x 12 Washer assembled cross recessed pan head screws (2)	2.0~2.5[N·m] (17.7~22.1[lb·in])	M5×12座金組込み十字穴付きなべ小ねじ(×2) M5 x 12 Washer assembled cross recessed pan head screws (2)	2.0~2.5[N·m] (17.7~22.1[lb·in])
CIMR-U02*0104A~0130A 4*0096A~0124A	M5×12座金組込み十字穴付きなべ小ねじ(×2) M5 x 12 Washer assembled cross recessed pan head screws (2)	2.0~2.5[N·m] (17.7~22.1[lb·in])	M5×12座金組込み十字穴付きなべ小ねじ(×2) M5 x 12 Washer assembled cross recessed pan head screws (2)	2.0~2.5[N·m] (17.7~22.1[lb·in])

□: A to Z

\*: A to Z

(本図はCIMR-U02\*0104Aの図で説明しています。)

(example: CIMR-U02\*0104A)

①

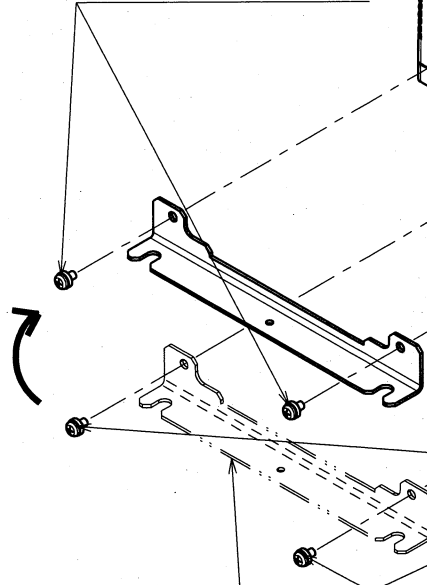
アタッチメントをヒートシンク天面の取付け穴に付属ねじにて取付けてください。

マトリクスコンバータ本体の標準取付け足(ねじA)を外し、付属ねじにて下図の位置に付け替えてください。

Install the external heatsink attachment on the top of the drive with screws included in the package. Remove the mounting bracket and reattach it using screws A as shown in the following figure.

M5 x 12 Washer assembled cross recessed pan head screws (2)

M5×12座金組込み  
十字穴付きなべ小ねじ(×2)



標準取付け足  
Mounting bracket

注1  
ねじA (M6×10座金組込み十字穴付きなべ小ねじ)  
ねじA (M6×14座金組込み十字穴付きなべ小ねじ)  
取外したねじは使用しません

Note 1  
Screw A (M6 x 10 Washer assembled cross recessed pan head screws)  
Screw A (M6 x 14 Washer assembled cross recessed pan head screws)

Screws A will be replaced by screws included in the package.

注1/ Note 1

M6×12座金組込み十字穴付きなべ小ねじ: CIMR-U02\*0042A~0081A, CIMR-U04\*0040A~0077A

M6 x 12 Washer assembled cross recessed pan head screws: CIMR-U02\*0042A~0081A, CIMR-U04\*0040A~0077A

M6×14座金組込み十字穴付きなべ小ねじ: CIMR-U02\*0104A~0130A, CIMR-U04\*0096A~0124A

M6 x 14 Washer assembled cross recessed pan head screws: CIMR-U02\*0104A~0130A, CIMR-U04\*0096A~0124A

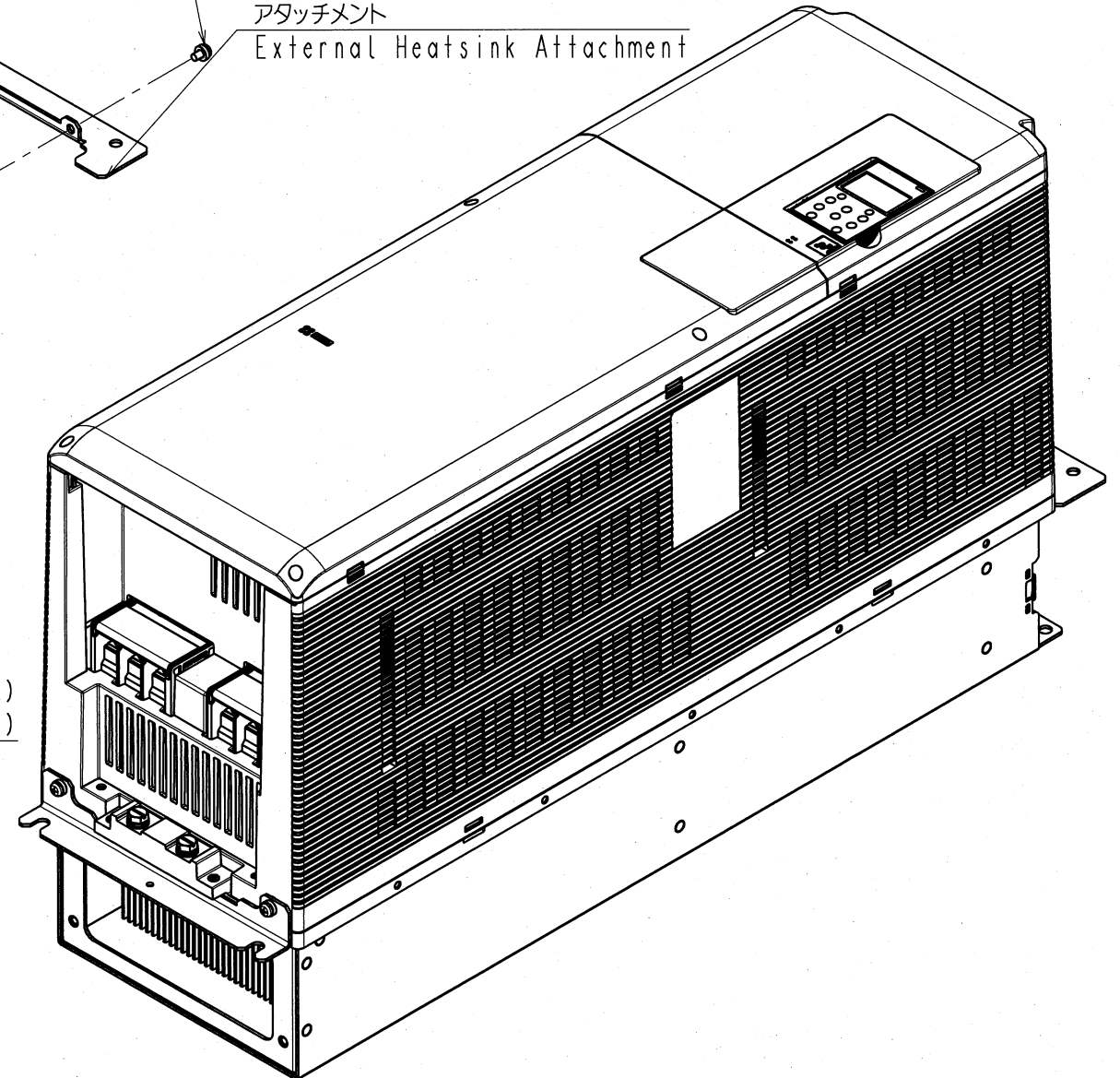
M5×12座金組込み十字穴付きなべ小ねじ(×2)

M5 x 12 Washer assembled cross recessed pan head screws (2)

アタッチメント  
External Heatsink Attachment

完成図

Completed Drawing



パネルカット図 PANEL CUTOUT

※パネルカット図中の斜線部及び( )寸法はガスケット寸法を示す。

The gasket dimensions are shown in the parentheses and the shaded area.

マトリクス コンバータ形式 Model CIMR-U□	寸法(mm, (in)) Dimensions																						取付ねじサイズ Screw Size		Fig.	
	(W)	(H)	W1	(W2)	(W3)	(W4)	W5	(W6)	(W7)	H1	(H2)	(H3)	(H4)	(H5)	(H6)	H7	(H8)	(H9)	A	B	C	D	E	d1		d2
2*0104A 2*0130A 4*0096A 4*0124A	264 (10.39)	857.5 (33.76)	218 (8.58)	17 (0.67)	6 (0.24)	300 (11.81)	280 (11.02)	6 (0.24)	16 (0.63)	833.5 (32.81)	15 (0.59)	24.5 (0.96)	12.5 (0.49)	11.5 (0.45)	230 (9.06)	212 (8.35)	6 (0.24)	9 (0.35)	252 (9.92)	794 (31.26)	268 (10.55)	200 (7.78)	50 (1.97)	M8	M5	Fig.2
2*0154A 2*0192A 4*0156A 4*0180A	415 (16.34)	1052 (41.42)	250 (9.84)	73.5 (2.89)	9 (0.35)	515 (20.28)	492 (19.37)	6 (0.24)	17.5 (0.69)	1030 (40.55)	37 (1.46)	30 (1.18)	11 (0.43)	11 (0.43)	230 (9.06)	212 (8.35)	6 (0.24)	9 (0.35)	397 (15.63)	963 (37.91)	480 (18.90)	200 (7.87)	74.5 (2.93)	M10	M5	Fig.3
2*0248A 4*0216A 4*0240A	490 (19.29)	1191 (46.89)	360 (14.17)	51.5 (2.03)	13.5 (0.53)	515 (20.28)	492 (19.37)	6 (0.24)	17.5 (0.69)	1162.5 (45.77)	52.5 (2.07)	49 (1.93)	14 (0.55)	14.5 (0.57)	230 (9.06)	212 (8.35)	6 (0.24)	9 (0.35)	463 (18.23)	1061 (41.77)	480 (18.90)	200 (7.87)	85 (3.35)	M12	M5	Fig.4
4*0302A 4*0361A 4*0414A	695 (27.36)	1211 (47.68)	560 (22.05)	54 (2.13)	13.5 (0.53)	725 (28.54)	708 (27.87)	6 (0.24)	14.5 (0.57)	1181 (46.50)	61 (2.40)	59 (2.32)	15.5 (0.61)	14.5 (0.57)	230 (9.06)	212 (8.35)	6 (0.24)	9 (0.35)	668 (26.30)	1061 (41.77)	696 (27.40)	200 (7.87)	104 (4.09)	M12	M5	Fig.5

マトリクス コンバータ形式 Model	寸法(mm, (in)) Dimensions																		取付ねじサイズ Screw Size	Fig.
	(W)	(H)	W1	(W2)	(W3)	(W8)	W9	W10	H1	(H2)	(H3)	(H4)	(H5)	H10	H11	H12	A	B	d1	
CIMR-U□4*0477A CIMR-U□4*0590A	1096 (43.15)	1625.5 (64.00)	850 (33.46)	72 (2.83)	51 (2.01)	300 (11.81)	275 (10.83)	107.7 (4.24)	1598 (62.91)	36.5 (1.44)	37 (1.46)	14 (0.55)	13.5 (0.53)	163 (6.42)	291 (11.46)	138.5 (5.45)	994 (39.13)	1524.5 (60.02)	M12	Fig.6
CIMR-U□4*0720A CIMR-U□4*0900A CIMR-U□4*0930A	1236 (48.66)	1865 (73.43)	1000 (39.37)	67 (2.64)	51 (2.01)	440 (17.32)	280 (11.02)	102.7 (4.04)	1837.5 (72.34)	36.5 (1.44)	37 (1.46)	14 (0.55)	13.5 (0.53)	191.5 (7.54)	291 (11.46)	291 (11.46)	1134 (44.65)	1764 (69.45)	M12	Fig.7
EUJ7118XY	700 (27.56)	1380 (54.33)	560 (22.05)	60 (2.36)	10 (0.39)	240 (9.45)	160 (6.30)	--	1350.5 (53.17)	35.5 (1.40)	26 (1.02)	16 (0.63)	13.5 (0.53)	--	--	--	680 (26.77)	1289 (50.75)	M12	Fig.8

□: A to Z X: 0 to 9  
\*: A to Z Y: 0 to 9

Fig. 2

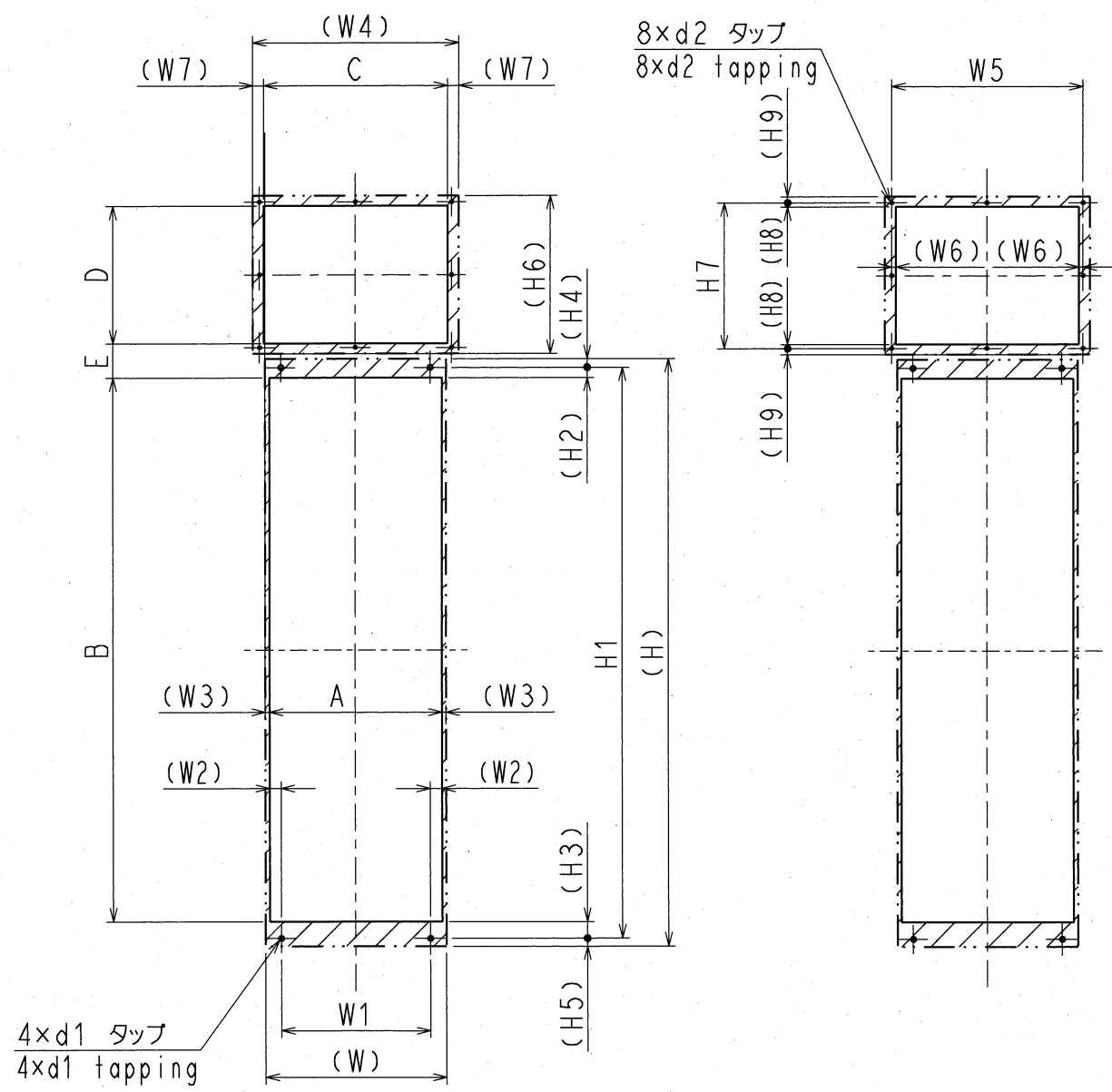


Fig. 3

